



Thank you for choosing our Autonics product. Please read the following safety considerations before use.

Safety Considerations

- Warning: Please observe all safety considerations for safe and proper product operation to avoid hazards. Caution: Failure to follow these instructions may result in personal injury or product damage.

Manual

For the detail information and instructions, please refer to user manual and be sure to follow cautions.

Ordering Information

Table with columns: CX, 6, S, -, 1P, 4, F. Includes details on signal input method, power supply, output, size, and display digit options.

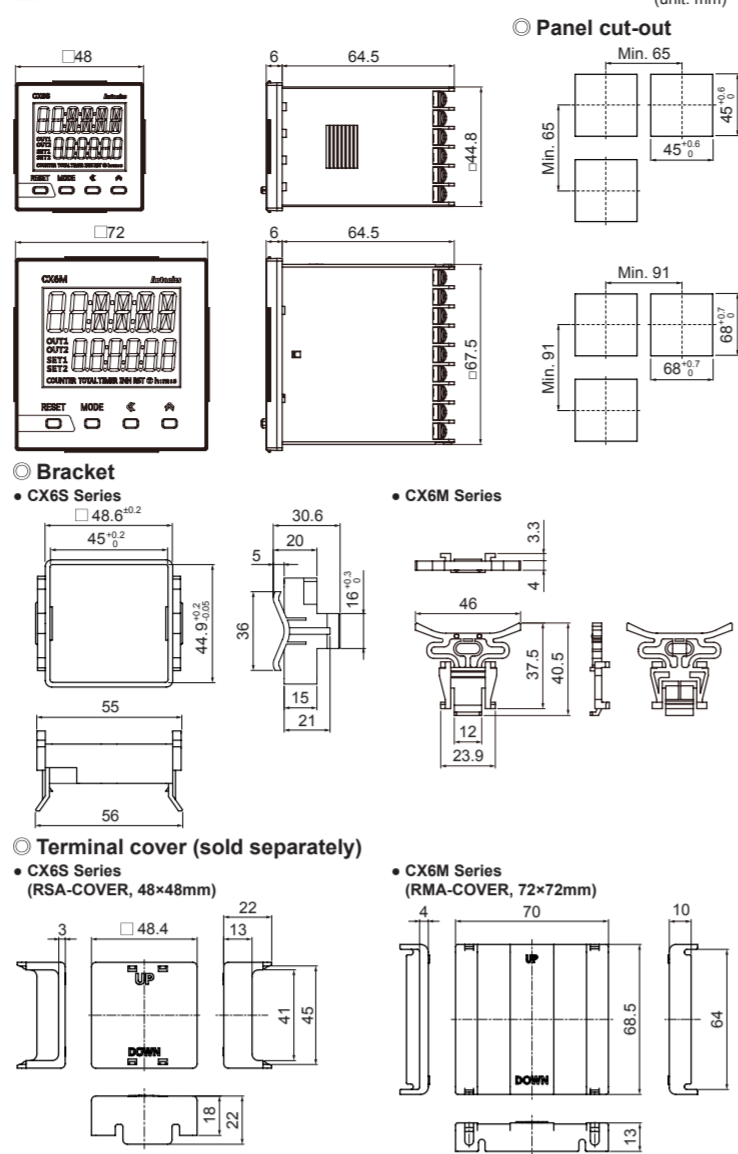
Unit Description

- 1. Counting value display component (red) RUN mode. 2. Setting value display component (green) RUN mode. 3. Time unit indicator (h:m:s). 4. Key lock indicator (LK).

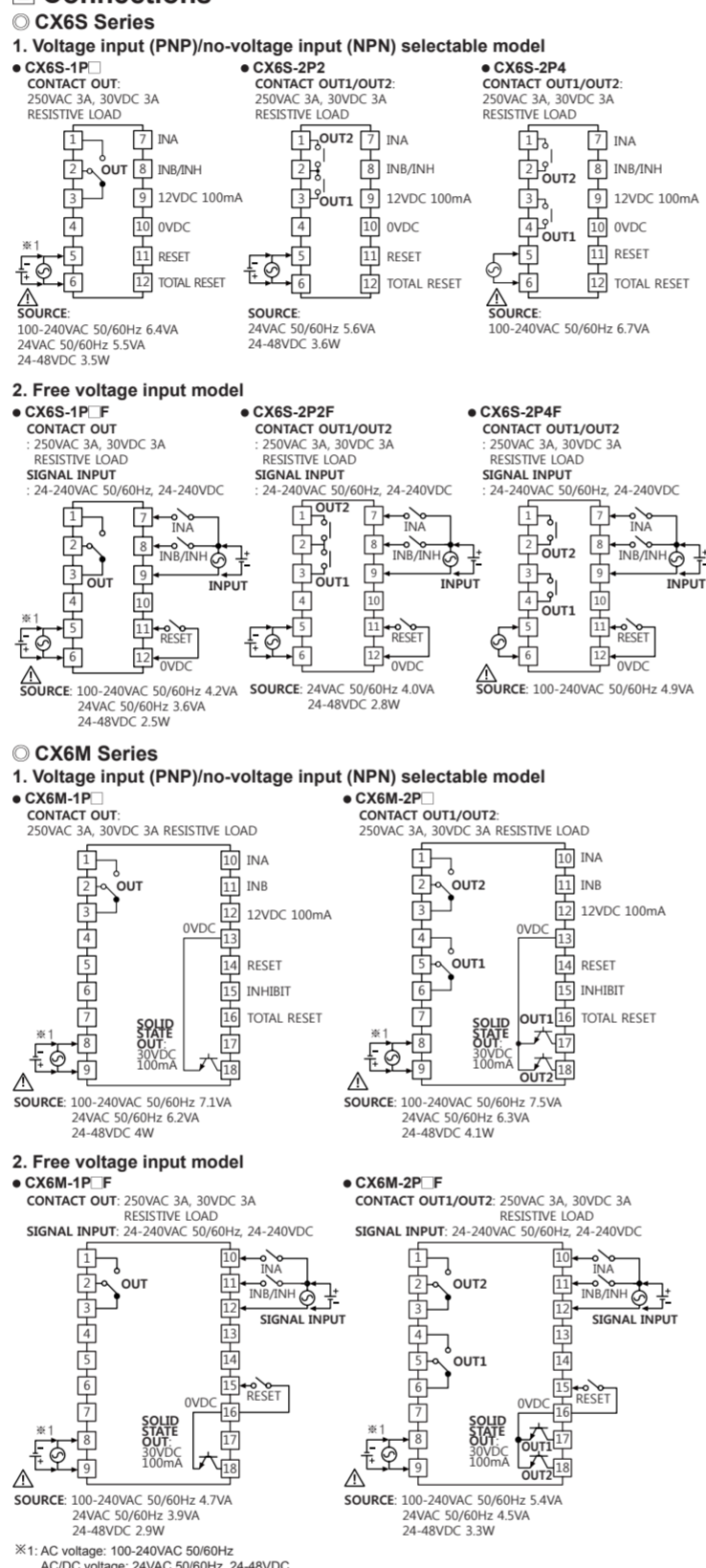
Specifications

Specifications table including Model, Display digits, Display method, Character size, Power supply, AC/DC voltage, Permissible voltage range, AC voltage, DC voltage, Power, Max. IN/INH counting speed, Counter, Scale, Time range, Operation mode, Input method, One-shot output time, Control, Output, External power supply, Memory retention, Insulation resistance, Dielectric strength, Noise immunity, Vibration, Shock, Relay life, Protection structure, Environment, Approval, AC voltage, AC/DC voltage.

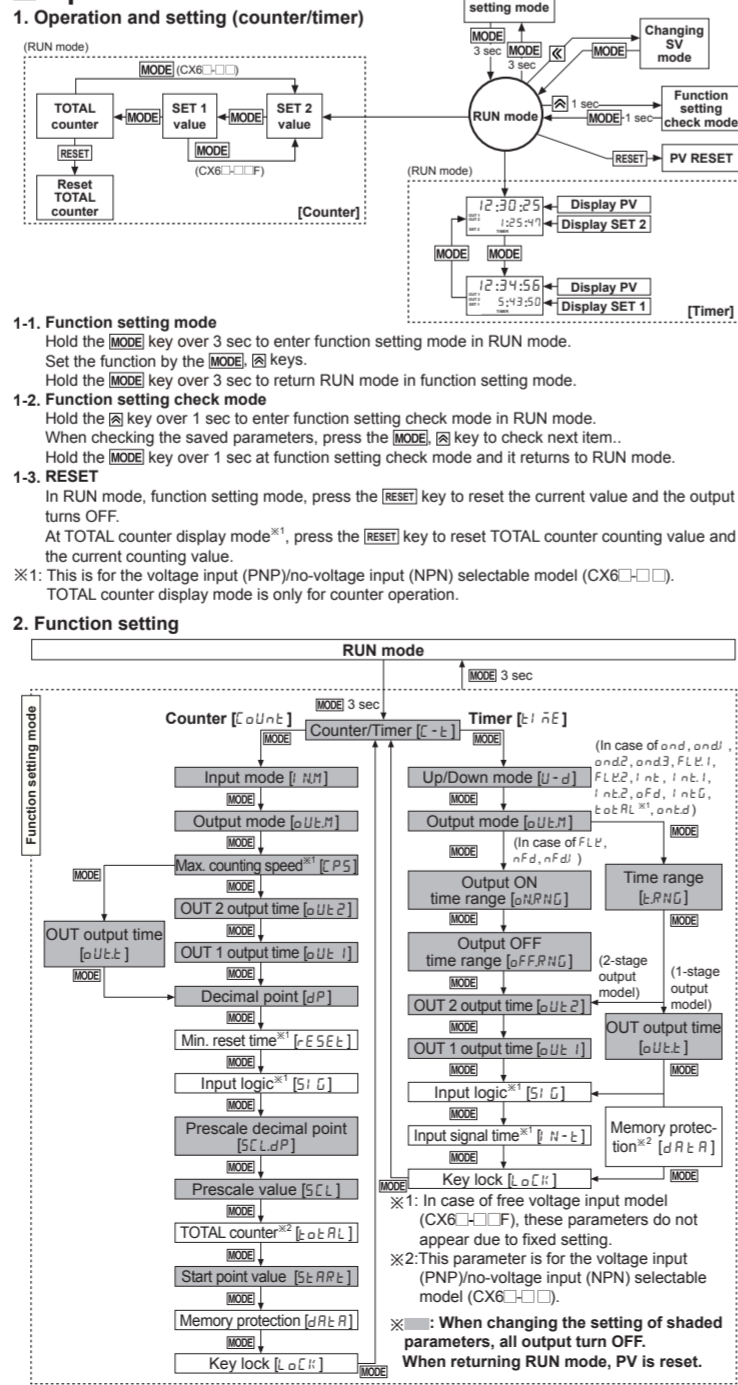
Dimensions



Connections



Operations

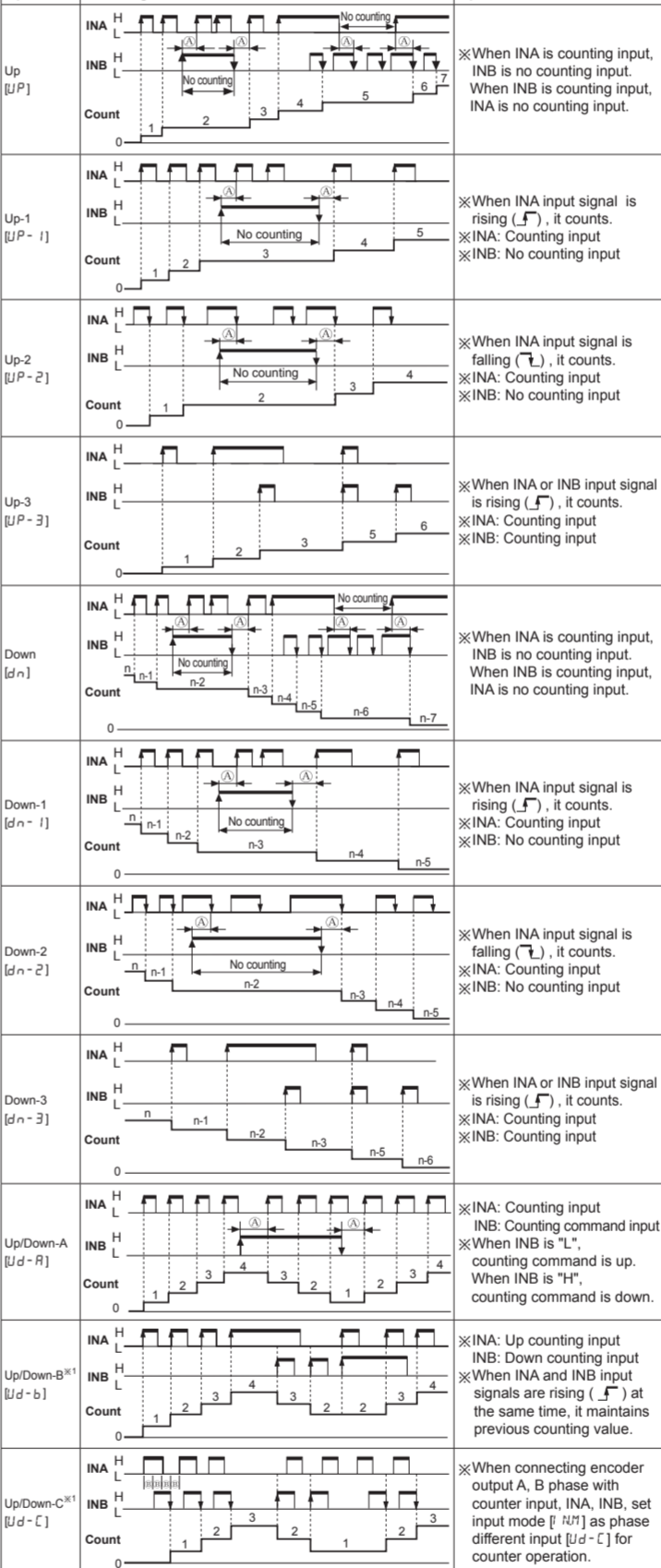


Counter Mode

Parameter setting table for Counter Mode. Columns: Parameter, Parameter setting value. Includes settings for Counter/Timer, Input mode, Output mode, Max. counting speed, OUT 1 output time, OUT 2 output time, OUT 1 output time, OUT 2 output time, Decimal point, Min. reset time, Input logic, Prescale, Prescale value, TOTAL counter, Start point value, Memory protection, Key lock.

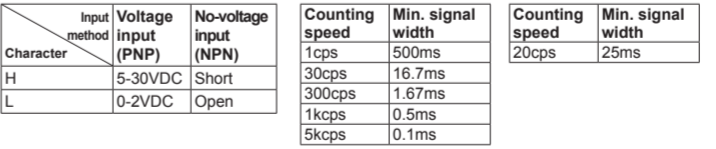
- 1. For voltage input (PNP), no-voltage input (NPN) model (CX6-□□□). 2. For free voltage input model (CX6-□□□□), these parameters do not appear due to fixed setting.

2. Input mode



- 1. This is for the voltage input (PNP)/no-voltage input (NPN) selectable model (CX6-□□□□). 2. For 1-stage setting mode (CX6-1P□□□□), OUT1 does not appear.

3. Prescale function



Timer Mode

Parameter setting table for Timer Mode. Columns: Parameter, Parameter setting value. Includes settings for Counter/Timer, Up/Down mode, Output mode, Time range, Output ON TIME range, OUT 2 output time, OUT 1 output time, OUT 2 output time, Input logic, Input signal time, Memory protection, Key lock.

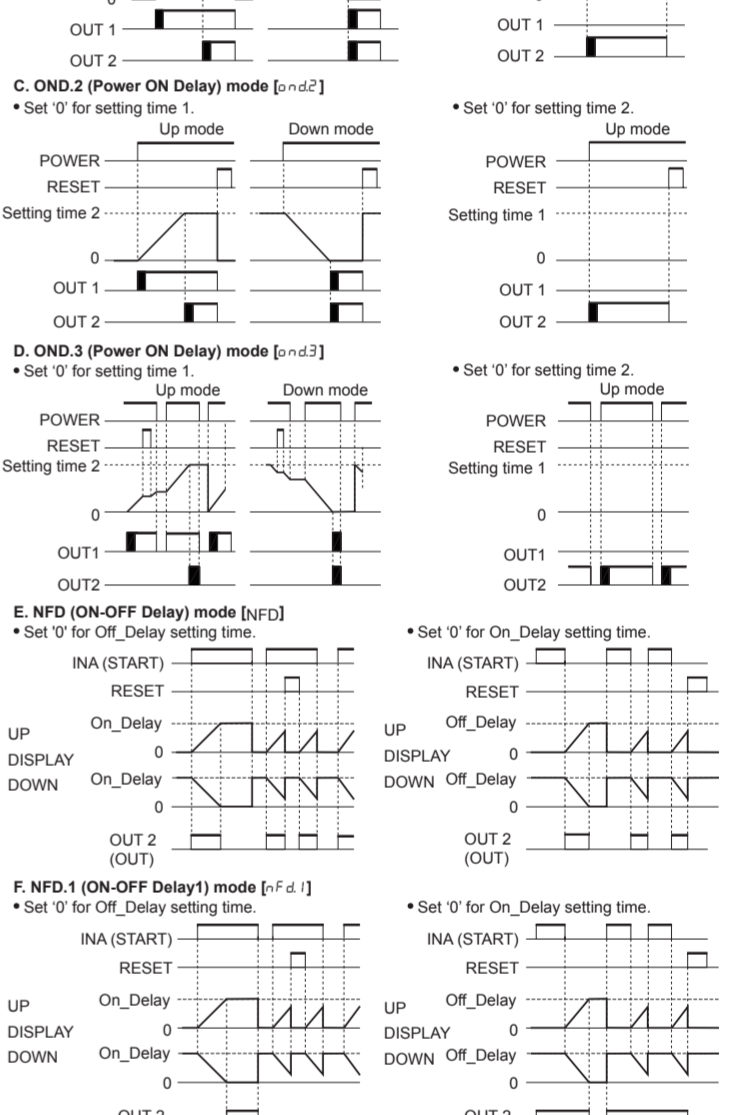
2. Timer '0' time setting



2-1. Timer output mode for '0' time setting



2-2. Operations by output mode ('0' time setting)



Factory Default

Table showing factory default values for parameters like I/INH, OutP, Count, Counter, Timer, and various input/output settings.

Error Display and Output Operation

Table with columns: Error Display, Error description, Troubleshooting. Lists common error codes and their resolutions.

Cautions during Use

- 1. Follow instructions in 'Cautions during Use'. 2. In case of 24-48VDC, 24VAC model, power supply should be insulated and limited voltage/current or Class 2, SELV power supply device.

Major Products

List of major products including Photodiode Sensors, Fiber Optic Sensors, Temperature Controllers, and other industrial measurement devices.



HEADQUARTERS: 18, Namgyong-213 beon-gil, Haerudong-gu, Busan, South Korea, 48002